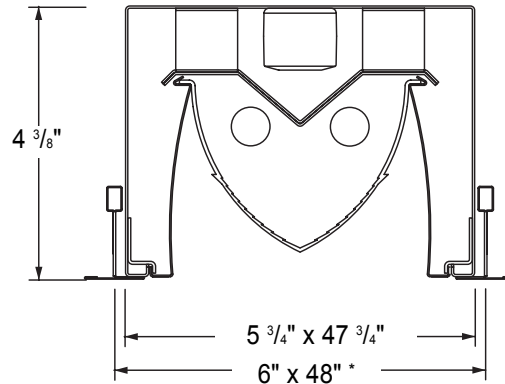


JOB NAME: _____
 FIXTURE TYPE: _____

* DIMENSIONS INDICATE GRID CENTERS.



**STANDARD LAY-IN
SHOWN**

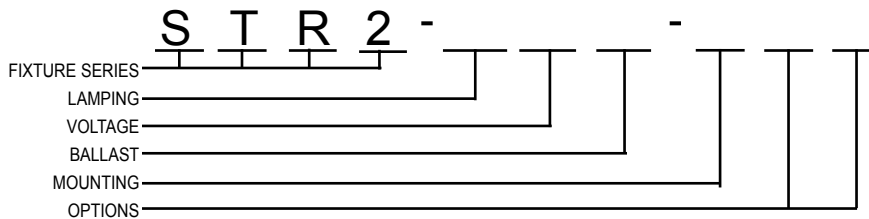
APPLICATIONS

As a companion product to our popular Stratos Pendant series or used on its own, the Stratos Recessed 2 offers the winning combination of superior photometric performance and architecturally relevant styling. As functional as it is attractive, the Stratos Recessed 2 is available in with a controlled brightness linear prismatic lens with ribbed aluminum reflectors. The soft brightness of the lens version can help make spaces feel cheerier and more open.

Stratos Recessed is built in 4ft. segments that can be used as individual units or run end to end to create rows of infinite length. They can be configured to mount into solid ceilings as well as virtually any type of grid or modular ceiling. Use Stratos Recessed fixtures in offices, public spaces, retail applications or anywhere that stylish, high quality general illumination is required.

Maintaining Stratos Recessed 2 fixtures couldn't be easier. The lens design utilizes a unique construction that incorporates the fixture's reflectors and diffuser elements into a single compartment that simply snaps in and out. This makes cleaning much easier and really opens the fixture up for ease of re-lamping and ballast maintenance.

ORDERING KEY



* Consult factory prior to specification.

FIXTURE SERIES
 STR2 STRATOS RECESSED
 W/ LENS

LAMPING
 1 4 FT (2)54W T5HO
 (Standard)
 2 4FT (2)28W T5
 9 SPECIAL (Specify)*

VOLTAGE
 1 120 VOLT
 2 277 VOLT
 9 SPECIAL (Specify)*

BALLAST
 E ELECTRONIC (Standard)
 D DIMMING (Specify)*
 9 SPECIAL (Specify)*

MOUNTING
 1 GRID CEILING MOUNT
 (Standard)
 2 SURFACE MOUNT KIT
 3 PLASTER FRAME KIT
 9 SPECIAL (Specify)*

OPTIONS
 0 STANDARD
 B EMERGENCY BATTERY
 PACK(Specify)*
 F FUSING: HLR/GLR
 C CHICAGO PLENUM
 CONSTRUCTION
 EQ EARTHQUAKE CLIPS
 9 SPECIAL (Specify)*

Product refinement is a continuous endeavor at ALS. Therefore, ALS reserves the right to change fixture specifications. Consult factory for latest product information.

©ARCHITECTURAL LIGHTING SYSTEMS • 30 SHERWOOD DRIVE • TAUNTON, MA 02780 • TEL. (508) 823-8277 • FAX (508) 822-6787 5/06-0

SPECIFICATIONS

CONSTRUCTION: Housing to be fabricated from die-formed 20 gauge C.R.S. with high reflectance white powder coat finish. Internal wireway cover shall be die-formed high reflectance white steel. The diffuser utilizes a unique construction that incorporates the fixture's reflectors and diffuser elements into a single compartment, side reflector to be low-brightness ribbed, satin finished aluminum. Lens to be clear extruded linear prismatic acrylic.

MOUNTING: Fixtures can either be specified for installation into a standard lay-in ceiling (supplemental support in accordance with local and national codes is the responsibility of the installer) or flanged for installation into a dry-wall (or similar) construction ceiling. An optional surface mount frame is also available. Consult factory for installation into other specialty ceilings. All hardware by others.

ELECTRICAL: Fixtures may be wired for operation of T5 & T5HO lamps as specified. All ballasts are electronic type, with voltages as specified. All ballasts are UL/cUL listed.

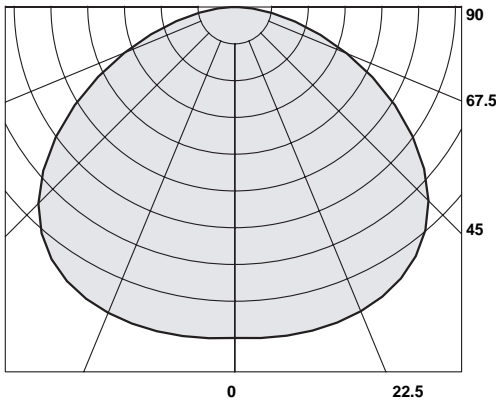
CERTIFICATION: All units are UL/cUL listed for dry locations.

FINISH: All housings and internal components are white powder coated steel. Side reflector to be low-brightness ribbed, satin finished aluminum.

WEIGHT: 4 ft unit: approx. 20 Lbs.

PHOTOMETRY

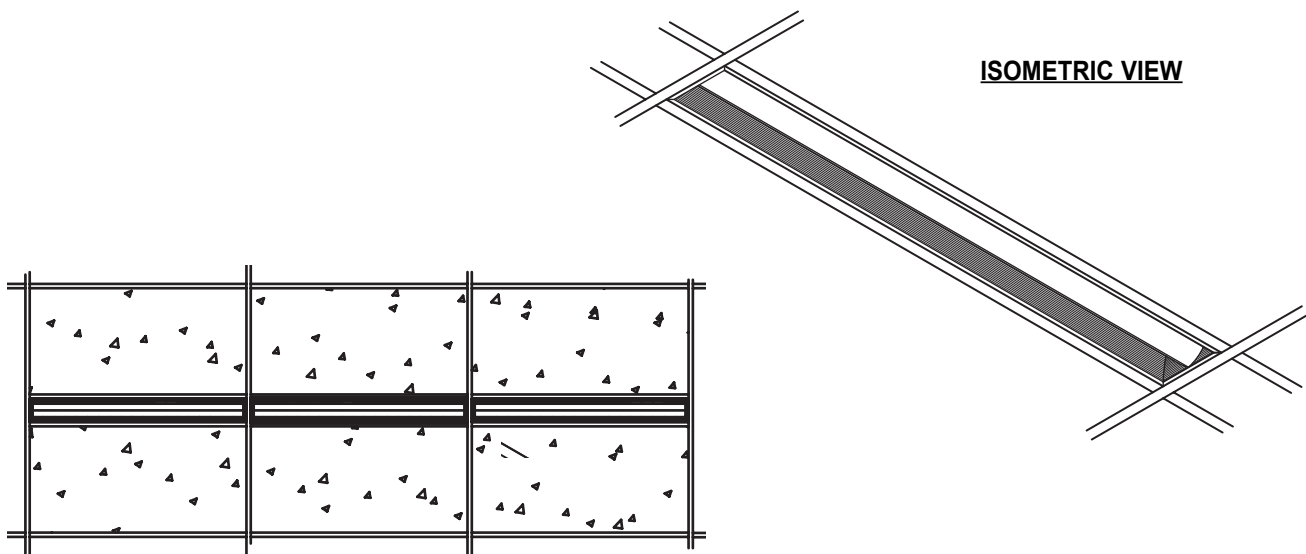
**CANDLEPOWER DISTRIBUTION
CURVE**



Coefficients of Utilization - Zonal Cavity Method:
pfc = 0.20

pcc	.8			.7			.5			.3			.1			0		
pw	.7	.5	.3	.1	.7	.5	.3	.1	.5	.3	.1	.5	.3	.1	0			
RCR																		
0	83	83	83	83	81	81	81	81	77	77	77	74	74	74	71	71	71	69
1	75	72	68	66	73	70	67	64	67	64	62	64	62	60	61	60	58	57
2	68	62	57	53	66	61	56	52	58	54	51	56	52	50	53	51	48	47
3	62	54	48	44	60	53	48	43	51	46	42	49	45	41	47	44	41	39
4	56	48	41	37	55	47	41	36	45	40	36	43	39	35	42	38	35	33
5	52	43	36	31	50	42	36	31	40	35	31	39	34	30	37	33	30	28
6	48	38	32	27	46	37	31	27	36	31	27	35	30	26	34	29	26	25
7	44	34	28	24	43	34	28	24	33	27	23	32	27	23	31	26	23	22
8	41	31	25	21	40	31	25	21	30	25	21	29	24	21	28	24	20	19
9	38	29	23	19	37	28	23	19	27	22	19	27	22	18	26	22	18	17
10	36	26	21	17	35	26	21	17	25	20	17	25	20	17	24	20	17	15

TYPICAL APPLICATION



TYPICAL ROW CONFIGURATION