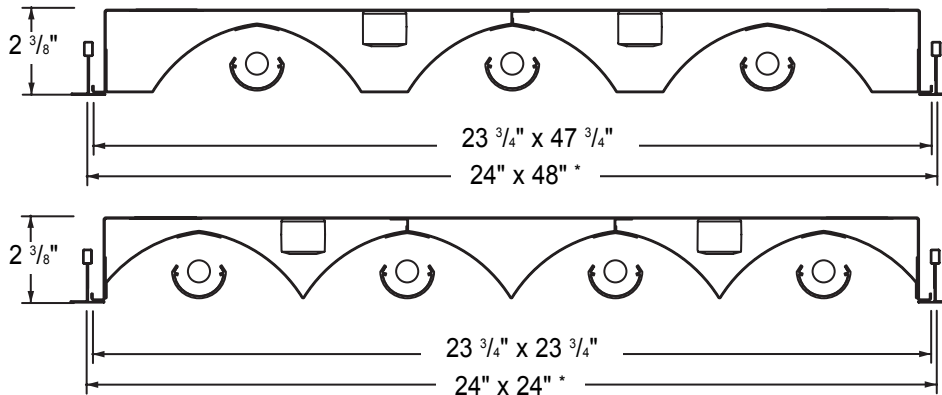


JOB NAME: _____
FIXTURE TYPE: _____

* DIMENSIONS INDICATE
GRID CENTERS.



**3 LIGHT MODEL
STANDARD LAY-IN**
(PATENTS PENDING)

**4 LIGHT MODEL
STANDARD LAY-IN**
(PATENTS PENDING)

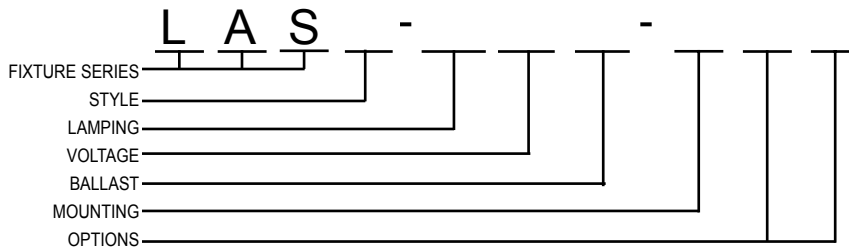
APPLICATIONS

Latitude Symmetric Exam lights bring together the amazingly small but powerful output of T5HO lamps, along with an innovative patented composite perforated film diffuser technology and a new concept in highly efficient symmetric reflector design to create the most effective, compact and energy efficient product of its kind.

Talk to the electricians who install lighting in healthcare facilities and they'll tell you that among their biggest problems are the plethora of duct, pipes and other obstructions in the ceiling plenum. With Latitudes incredibly shallow height, dealing with these costly interferences becomes a thing of the past. Consider this when estimating the cost of your next project!

Installed over the patient bed or examination table, Latitude Symmetric Exam Light's crossing beams of highly focused illumination direct high levels of even, shadow-free illumination onto the patient while minimizing disturbing light trespass to neighboring beds.

ORDERING KEY



* Consult factory prior to specification.

FIXTURE SERIES	
LAS	LATITUDE EXAM/AMBIENT BEDLIGHT

STYLE	
O	EXAM/AMBIENT OPEN
S	EXAM/AMBIENT W/ SANI-SHIELD
9	SPECIAL (Specify)*

LAMPING	
1	2 X 4 (3)54W T5HO (Standard)
2	2 X 4 (3)28W T5
3	2 X 2 (4)24W T5HO (Standard)
4	2 X 2 (4)14W T5
9	SPECIAL (Specify)*

VOLTAGE	
1	120 VOLT
2	277 VOLT
9	SPECIAL (Specify)*

BALLAST	
E	ELECTRONIC (Standard)
D	DIMMING (Specify)*
9	SPECIAL (Specify)*

MOUNTING	
1	GRID CEILING MOUNT (Standard)
2	SURFACE MOUNT KIT
3	PLASTER FRAME KIT
9	SPECIAL (Specify)*

OPTIONS	
0	STANDARD
B	EMERGENCY BATTERY PACK (Specify)*
F	FUSING: HLR/GLR
C	CHICAGO PLENUM CONSTRUCTION
D	DUAL CIRCUIT WIRING (Inboard/Outboard)
EQ	EARTHQUAKE CLIPS
9	SPECIAL (Specify)*

Product refinement is a continuous endeavor at ALS. Therefore, ALS reserves the right to change fixture specifications. Consult factory for latest product information.

SPECIFICATIONS

CONSTRUCTION: Housing to be fabricated from die-formed 20 gauge C.R.S. with high reflectance white powder coat finish. Exam reflector shall be rolled with die-formed edges from low iridescent specular aluminum. The diffuser shall be clear extruded acrylic with perforated inlay (patent pending). Optional Sani-Shield to be fabricated from an aluminum frame, triple gasketed, with a .125 clear acrylic lens. Frame is attached to fixture with a continuous piano hinge and secured with phillips head screws.

MOUNTING: Fixtures can either be specified for installation into a standard lay-in ceiling (supplemental support in accordance with local and national codes is the responsibility of the installer) or flanged for installation into a drywall (or similar) construction ceiling. An optional surface mount frame is also available. Consult factory for installation into other specialty ceilings. All hardware by others.

ELECTRICAL: Fixtures may be wired for operation of T5HO & T5 lamps as specified. All ballasts are electronic type, with voltages as specified. All ballasts are UL/cUL listed.

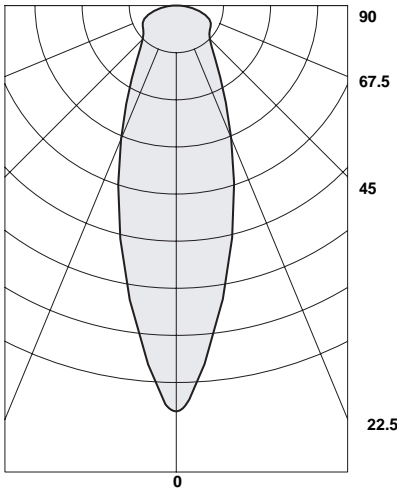
CERTIFICATION: All units are UL/cUL listed for dry locations.

FINISH: All housings components are white powder coated steel. Reflector is low-iridescent specular aluminum.

WEIGHT: 2 x 4 ft unit: approx. 24 Lbs.
2 x 4 ft unit with Sani-Shield: approx. 30 Lbs
2 x 2 ft unit approx. 18 Lbs
2 x 2 ft unit with Sani-Shield: approx. 22 Lbs

PHOTOMETRY

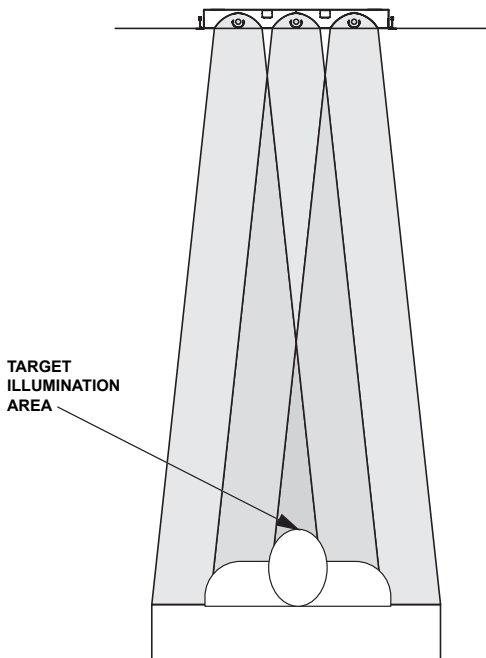
CANDLEPOWER DISTRIBUTION CURVE



Coefficients of Utilization - Zonal Cavity Method:
pfc = 0.20

pcc	.8			.7			.5			.3			.1			0		
pw	.7	.5	.3	.1	.7	.5	.3	.1	.5	.3	.1	.5	.3	.1	.5	.3	.1	0
RCR																		
0	85	85	85	85	83	83	83	83	79	79	79	76	76	76	72	72	72	71
1	78	75	72	70	76	74	71	69	70	68	66	67	66	64	65	63	62	61
2	72	67	62	59	70	65	61	58	63	59	57	60	58	55	58	56	54	52
3	67	60	55	50	65	59	54	50	57	52	49	55	51	48	53	50	47	46
4	62	54	48	44	60	53	48	44	51	47	43	50	46	43	48	45	42	40
5	57	49	43	39	56	48	43	39	47	42	38	45	41	38	44	40	38	36
6	54	45	39	35	52	44	39	35	43	38	35	42	38	34	41	37	34	33
7	50	41	36	32	49	41	35	32	40	35	31	39	34	31	38	34	31	30
8	47	38	33	29	46	38	33	29	37	32	29	36	32	28	35	31	28	27
9	44	36	30	27	43	35	30	27	34	30	26	34	29	26	33	29	26	25
10	42	33	28	25	41	33	28	25	32	28	24	31	27	24	31	27	24	23

TYPICAL APPLICATION



TYPICAL APPLICATION
INITIAL ILLUMINANCE VALUES
CEILING AT 6 FT ABOVE BED
2 x 4 MODEL

