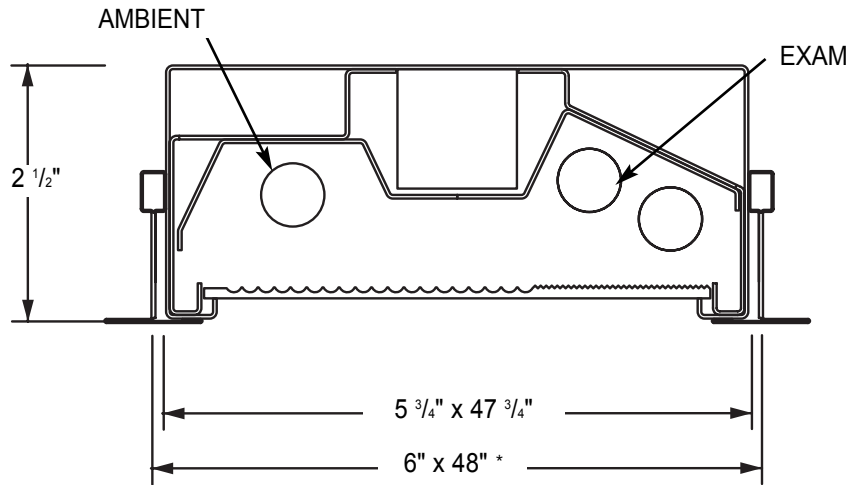


JOB NAME: _____
FIXTURE TYPE: _____

**STANDARD LAY-IN
SHOWN**

(PATENT PENDING)

* DIMENSIONS INDICATE
GRID CENTERS.



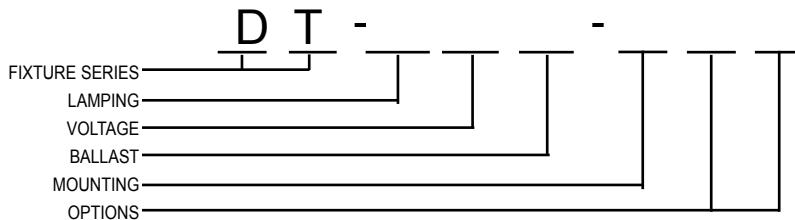
APPLICATIONS

Designers of today's healthcare interiors are finding that in many applications the traditional headwall bedlight no longer suits their needs. In some cases, the headwall is better saved for ever-increasing amounts of medical equipment, while in other cases; a more hospitable homelike feeling is desired. The challenge is to find ways to continue to provide the required levels of reading, ambient and examination lighting that good healthcare requires.

Duet Bedlight's unique mounting orientation in combination with its proprietary linear prismatic lens and unique arrangement of T5 lamps and reflectors produce amazing results. Duet offers 3 different modes of operation. The first provides a soft wash of ambient illumination that is perfect for general illumination and reading. The second produces crossing beams of shadow-free examination lighting over the entire bed. When these 2 modes are switched on concurrently, very high examination levels are achieved. In all modes, the patient enjoys minimal brightness from their viewing angle.

Duet Patient Bedlights introduce an exciting new alternative to traditional headwall mounted patient room lighting. Installed in opposing pairs over the bed, Duet's clean, simple appearance blends inconspicuously into the environment, while offering a host of unique performance characteristics that actually far exceed those of headwall mounted products.

ORDERING KEY



* Consult factory prior to specification.

FIXTURE SERIES	
DT	DUET EXAM/AMBIENT BEDLIGHT

LAMPING	
1	4 FT (3)54W T5HO (Standard)
2	4FT (3)28W T5
6	6FT (6)39W T5/HO
9	SPECIAL (Specify)*

VOLTAGE	
1	120 VOLT
2	277 VOLT
9	SPECIAL (Specify)*

BALLAST	
E	ELECTRONIC (Standard)
D	DIMMING (Specify)*
9	SPECIAL (Specify)*

MOUNTING	
1	GRID CEILING MOUNT (Standard)
2	SURFACE MOUNT KIT
3	PLASTER FRAME KIT
9	SPECIAL (Specify)*

OPTIONS	
0	STANDARD
B	EMERGENCY BATTERY PACK(Specify)*
F	FUSING: HLR/GLR
C	CHICAGO PLENUM CONSTRUCTION
EQ	EARTHQUAKE CLIPS
SW	LOW VOLTAGE SWITCHING (Consult Factory)
MS	MASTER/SLAVE WIRING (Must be Ordered in Pairs)
9	SPECIAL (Specify)*

ALS reserves the right to make changes to this product without notice, in any way that will not significantly affect installed function or appearance. Contact factory for latest specification details if required

SPECIFICATIONS

CONSTRUCTION: Housing to be fabricated from die-formed 20 gauge C.R.S. with high reflectance white powder coat finish. Exam reflector shall be rolled with die-formed edges from high reflectance white steel. Ambient reflector shall be rolled with die-formed edges from high reflectance white steel. Acrylic diffusers are clear extruded virgin acrylic with asymmetric linear prismatic pattern designed for optimum lighting distribution on bed.

MOUNTING: Fixtures can either be specified for installation into a standard lay-in ceiling (supplemental support in accordance with local and national codes is the responsibility of the installer) or flanged for installation into a drywall (or similar) construction ceiling. An optional surface mount frame is also available. Consult factory for installation into other specialty ceilings. All hardware by others.

ELECTRICAL: Fixtures may be wired for operation of T5HO lamps (Standard) or T5 lamps as specified. All ballasts are electronic type, with voltages as specified. All ballasts are UL/cUL listed.

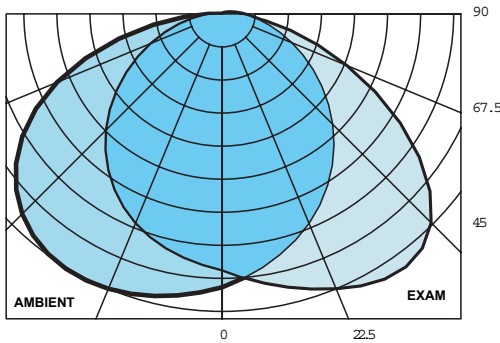
CERTIFICATION: All units are UL/cUL listed for dry locations.

FINISH: All housings components are white powder coated steel. Reflector is are white powder coated steel.

WEIGHT: 4 ft unit: approx. 20 Lbs.

PHOTOMETRY

CANDLEPOWER DISTRIBUTION CURVE

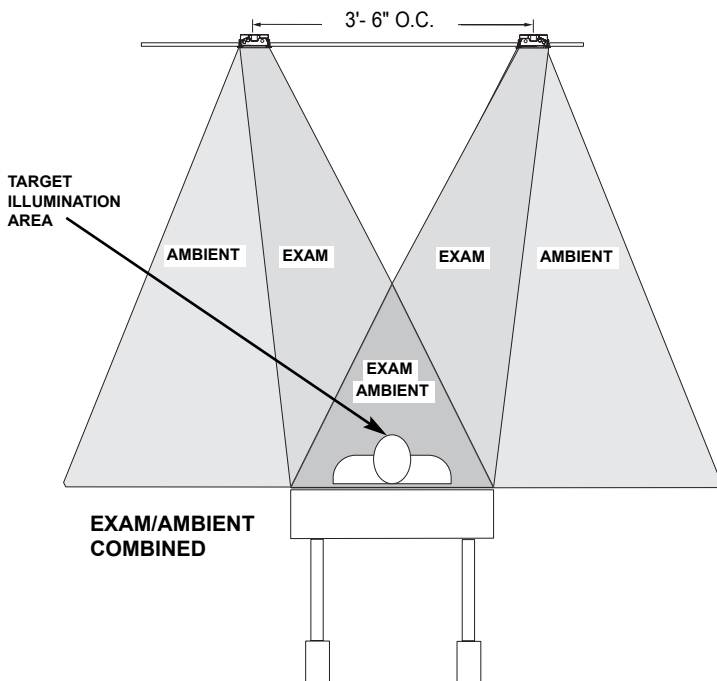


EXAM/AMBIENT COMBINED

Coefficients of Utilization - Zonal Cavity Method:
pfc = 0.20

pcc	.8			.7			.5			.3			.1			0		
pw	.7	.5	.3	.1	.7	.5	.3	.1	.5	.3	.1	.5	.3	.1	0			
RCR																		
0	69	69	69	69	67	67	67	67	64	64	64	61	61	61	58	58	58	57
1	62	59	57	54	61	58	56	53	55	53	51	53	51	50	50	49	48	46
2	57	52	47	44	55	50	46	43	48	45	42	46	43	41	44	42	40	38
3	51	45	40	36	50	44	39	36	42	38	35	40	37	34	39	36	33	32
4	47	40	35	30	46	39	34	30	37	33	30	36	32	29	34	31	29	27
5	43	35	30	26	42	35	30	26	33	29	25	32	28	25	31	27	25	23
6	40	32	27	23	39	31	26	23	30	26	22	29	25	22	28	24	22	20
7	37	29	24	20	36	28	23	20	27	23	20	26	22	19	25	22	19	18
8	34	26	21	18	33	26	21	18	25	21	17	24	20	17	23	20	17	16
9	32	24	19	16	31	24	19	16	23	19	16	22	18	15	21	18	15	14
10	30	22	17	14	29	22	17	14	21	17	14	20	17	14	20	16	14	13

TYPICAL APPLICATION



TYPICAL APPLICATION
INITIAL ILLUMINANCE VALUES
CEILING AT 6 FT ABOVE BED
EXAM/AMBIENT COMBINED

