

# **STRATOS**

RECESSED



We bring ARCHITECTURE to LIGHT!®

# STRATOS

RECESSED

As a companion product to our popular **Stratos Pendant** series or used on its own, the **Stratos Recessed** offers the winning combination of superior photometric performance and architecturally relevant styling.

## EASY on the eyes

As functional as it is attractive, the **Stratos Recessed** is available with either a low-brightness ribbed aluminum cross baffle or a controlled brightness linear prismatic lens with ribbed aluminum reflectors. Choose the cross baffle option when low brightness and ceiling contrast ratios are most important. The soft brightness of the lens version can help to make spaces feel cheerier and more open.

## MAINTAIN in a snap

Maintaining **Stratos Recessed** fixtures couldn't be easier. Both the cross baffle and lens designs utilize a unique unitized construction that incorporates the fixture's reflectors and diffuser elements into a single component that simply snaps in and out. This makes cleaning much easier and really opens the fixture up for ease of re-lamping and ballast maintenance.

## USE them anywhere

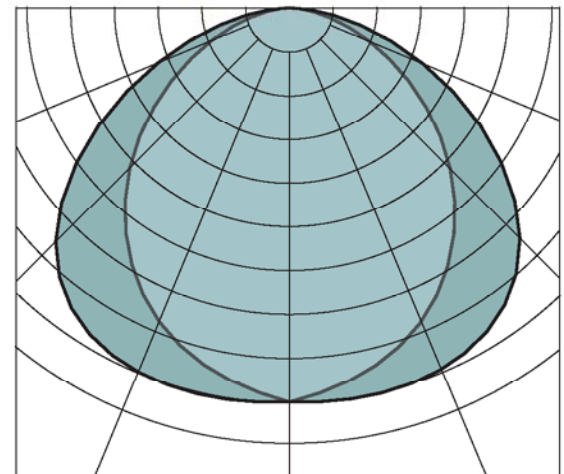
**Stratos Recessed** is built in 4-foot segments that can be used as individual units or run end to end to create rows of infinite length. They can be configured to mount into solid ceilings as well as virtually any type of grid or modular ceiling. Use **Stratos Recessed** fixtures in offices, public spaces, retail applications or anywhere that stylish, high quality general illumination is required.

Choose between a low brightness ribbed aluminum blade baffle or a diffused linear prismatic lens.

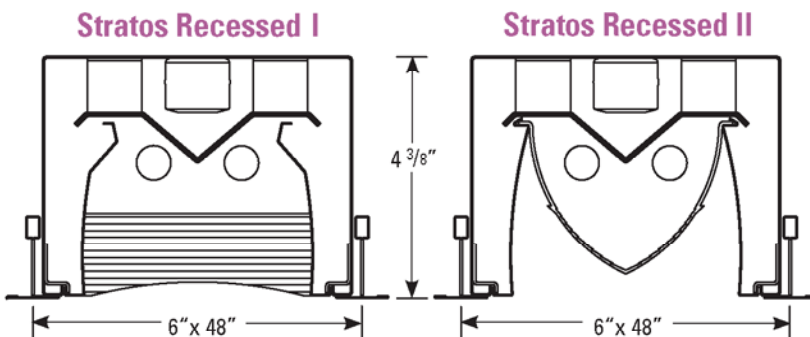


Also available with flange for solid ceiling applications.

## Candlepower Distribution



- Stratos Recessed I
- Stratos Recessed II



Consult Individual Product Sheets For Complete Product Specifications and Photometric Information