

*ex*LINE WALL WASH



We bring ARCHITECTURE to LIGHT!®

exLINE

WALL WASH



Available in continuous rows or individual units. Shown in standard clear anodized aluminium finish. Optional painted finishes are available.

WHAT IT IS.

The versatile **ExLine** series is an innovative new lighting system built on a rigid extruded aluminum rail that can be configured as individual units or continuous rows of infinite length. While remarkably small in scale, **ExLine** is capable of integrally housing all required ballasts as well as auxiliary equipment including emergency battery packs. Numerous available diffuser and reflector options can be mixed or matched along a common rail, further increasing the versatility of this unique lighting system.

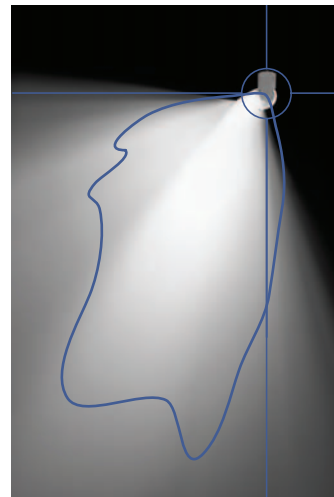
WHAT IT DOES.

The **ExLine Wall Wash** utilizes an asymmetrically oriented specular aluminum reflector to bathe vertical wall surfaces with even illumination from top to bottom. The reflector is designed to punch increasingly greater measures of illumination as angles of projection near the floor, while also directing a small amount of light to angles above 90° to ensure that even the top of the wall gets illuminated.

WHERE TO USE IT.

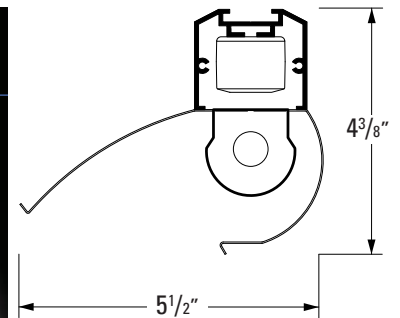
The **ExLine Wall Wash** makes spaces feel brighter and more open when the vertical surfaces are illuminated. While wall washing is most commonly used in many circulation spaces, **ExLine Wall Wash** lighting can also be used anywhere else to illuminate merchandise, artwork, signage, and the like.

CANDLEPOWER DISTRIBUTION



Actual photo

CROSS SECTION



MOUNTING OPTIONS

Mounting stems or cables may be field positioned anywhere along the track for maximum installation flexibility.



Adjustable height cable mount.



Fixed length rigid stem mount.

Consult Individual Product Sheets For Complete Product Specifications and Photometric Information