

*ex*LINE LENS



We bring ARCHITECTURE to LIGHT![®]

exLINE LENS



Available in continuous rows or individual units. Shown in standard clear anodized aluminium finish. Optional painted finishes are available.

WHAT IT IS.

The versatile **ExLine** series is an innovative new lighting system built on a rigid extruded aluminum rail that can be configured as individual units or continuous rows of infinite length. While remarkably small in scale, **ExLine** is capable of integrally housing all required ballasts as well as auxiliary equipment including emergency battery packs. Numerous available diffuser and reflector options can be mixed or matched along a common rail, further increasing the versatility of this unique lighting system.

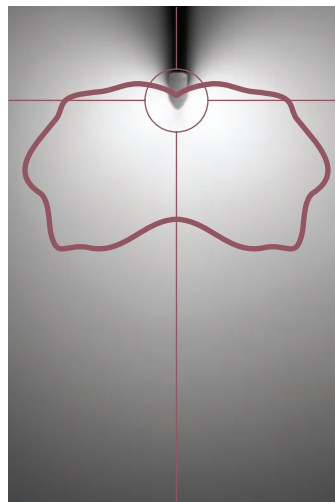
WHAT IT DOES.

The **ExLine Lens** fixture utilizes an extruded lens that is designed to provide the ideal light spread for even, striation-free general illumination. A combination of internal linear grooves and high transmission milky-white acrylic make this fixture easy on the eyes while remaining remarkably efficient.

WHERE TO USE IT.

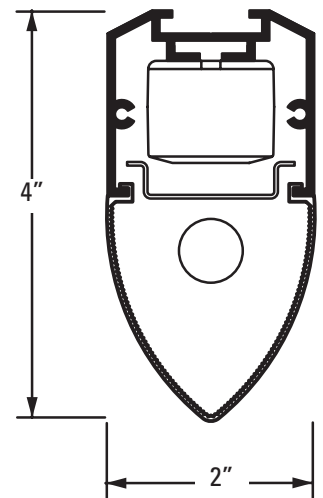
The **ExLine Lens** fixture can be used in any application where soft, even, controlled glare general illumination is required.

CANDLEPOWER DISTRIBUTION



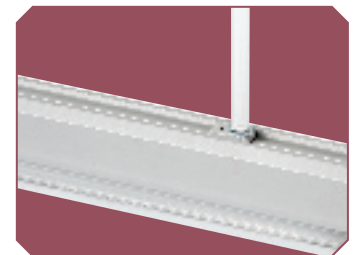
Actual photo

CROSS SECTION



MOUNTING OPTIONS

Mounting stems or cables may be field positioned anywhere along the track for maximum installation flexibility.



Adjustable height cable mount. Fixed length rigid stem mount.

Consult Individual Product Sheets For Complete Product Specifications and Photometric Information