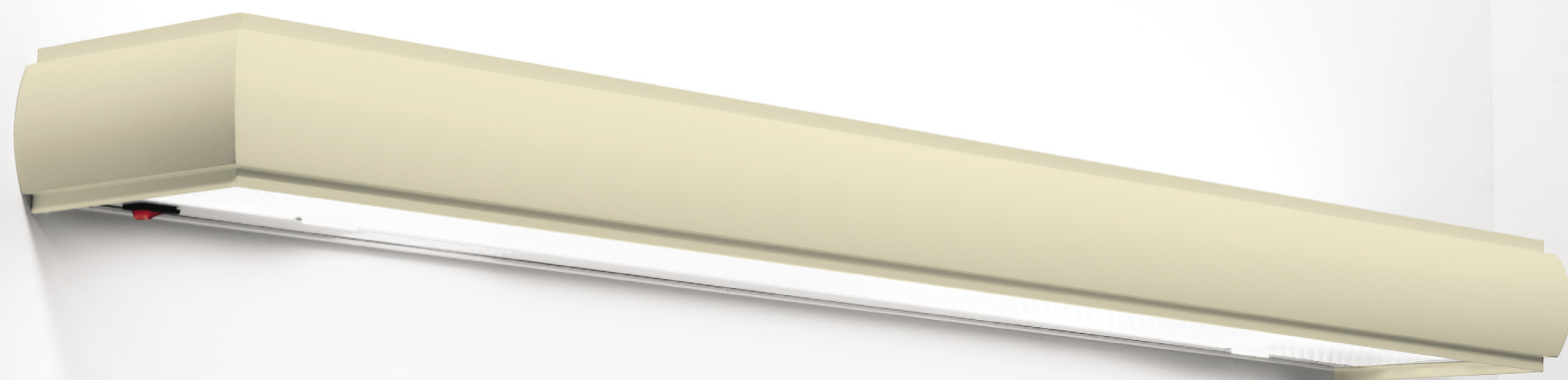


# Cornice BEDLIGHT

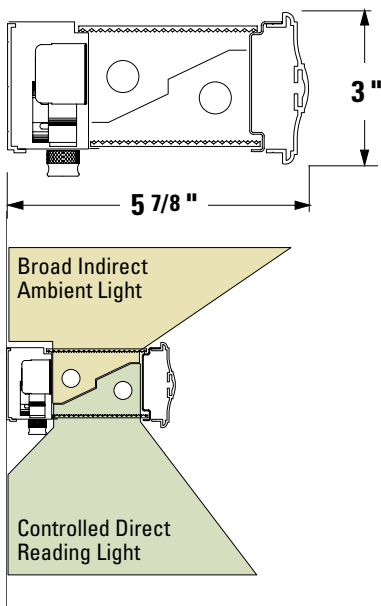


*We Bring Architecture To LIGHT!*<sup>®</sup>



# Cornice BEDLIGHT

## Fixture Dimensions



## Lighting Distribution



Optional PL-7 Night Light comes with an illuminated switch.



A Drop-in Electrical Chassis simplifies installation and servicing.

## Choose from 2 Styles



ClassicLine™



CleanLine™



Optional Pull Chain or Integral Bedside Switching Relay available.



Available in two distinctive style choices, the simple yet handsome design of the **Cornice Bedlight** is sure to complement virtually any healthcare interior while providing superior function for patients, caregivers and owners.

## Small in Scale. Big on Performance.

At less than 6" deep the **Cornice Bedlight** is by far the smallest bedlight in its class, but don't let its tiny size fool you. Despite the diminutive scale, the **Cornice Bedlight** can accommodate up to (4) T5HO lamps which are capable of providing double the output of competing T8 or Biax models. For most applications, an economical-to-operate two lamp model will be more than sufficient.

## The Features You Need and The Features You Want.

The **Cornice Bedlight** comes standard with fully isolated indirect ambient light and direct reading light components that are separately switched and can either be controlled with a pull-chain, low-voltage bedside switching and/or wall switches. A highly effective and energy efficient night light with an illuminated switch is also available. Top and bottom dust covers are standard.

## Easy On Installation and Maintenance Budgets.

**Cornice Bedlights** are a breeze to install and service thanks to their clever drop-in electrical chassis and unitized extruded aluminum housing. Your housekeeping staff will also appreciate the thoughtful details we've incorporated in order to simplify routine cleaning.

Consult Individual Product Sheets For Complete Product Specifications and Photometric Information